

Montag _____

Name: _____

56 - 8 = _____ _____ - 5 = 57

82 - ___ = 79

55 - 6 = _____ _____ - 8 = 54

65 - ___ = 57

94 - ___ = 87 _____ - 2 = 79

71 - ___ = 68

54 - ___ = 48 61 - 2 = _____

61 - ___ = 52

_____ - 7 = 65 85 - 6 = _____

92 - 7 = _____

_____ - 5 = 69 _____ - 7 = 75

_____ - 8 = 68

61 - ___ = 53 _____ - 7 = 86

61 - ___ = 58

_____ - 8 = 57 77 - 8 = _____

_____ - 5 = 79

53 - 5 = _____ 71 - 5 = _____

72 - 6 = _____

_____ - 2 = 59 75 - 6 = _____

_____ - 6 = 49

94 - 8 = _____ 74 - ___ = 69

_____ - 3 = 59

61 - ___ = 55 _____ - 5 = 48

82 - ___ = 78



Dienstag: _____

Name: _____

_____ - 3 = 59 62 - ___ = 54

83 - 7 = _____

_____ - 9 = 72 75 - ___ = 68

_____ - 6 = 47

_____ - 4 = 58 _____ - 7 = 76

_____ - 5 = 79

93 - 4 = _____ 77 - 9 = _____

71 - ___ = 67

58 - ___ = 49 73 - ___ = 68

_____ - 9 = 65

_____ - 9 = 65 95 - ___ = 88

82 - ___ = 77

91 - 4 = _____ 92 - 3 = _____

_____ - 9 = 85

61 - 3 = _____ _____ - 3 = 58

81 - ___ = 78

91 - 4 = _____ 53 - ___ = 48

92 - 9 = _____

92 - 9 = _____ 52 - 4 = _____

_____ - 3 = 78

_____ - 6 = 76 61 - 6 = _____

95 - ___ = 89

96 - ___ = 89 54 - ___ = 49

88 - 9 = _____



Mittwoch _____

Name: _____

$62 - 3 = \underline{\quad}$

$\underline{\quad} - 5 = 69$

$82 - 9 = \underline{\quad}$

$61 - \underline{\quad} = 59$

$61 - 7 = \underline{\quad}$

$62 - 7 = \underline{\quad}$

$64 - \underline{\quad} = 55$

$52 - \underline{\quad} = 49$

$\underline{\quad} - 6 = 55$

$61 - \underline{\quad} = 56$

$\underline{\quad} - 4 = 49$

$62 - \underline{\quad} = 58$



$\underline{\quad} - 2 = 69$

$74 - 9 = \underline{\quad}$

$95 - 8 = \underline{\quad}$

$\underline{\quad} - 5 = 68$

$\underline{\quad} - 4 = 48$

$95 - \underline{\quad} = 89$

$52 - 3 = \underline{\quad}$

$91 - 9 = \underline{\quad}$

$92 - \underline{\quad} = 89$

$64 - 6 = \underline{\quad}$

$81 - 2 = \underline{\quad}$

$56 - \underline{\quad} = 48$

$\underline{\quad} - 3 = 69$

$\underline{\quad} - 5 = 49$

$64 - \underline{\quad} = 59$

$81 - 2 = \underline{\quad}$

$91 - \underline{\quad} = 89$

$93 - \underline{\quad} = 87$

$\underline{\quad} - 4 = 59$

$83 - \underline{\quad} = 76$

$73 - \underline{\quad} = 68$

$91 - \underline{\quad} = 85$

$74 - \underline{\quad} = 68$

$\underline{\quad} - 7 = 78$

/36

Donnerstag: _____

Name: _____

$97 - \underline{\quad} = 89$

$94 - 7 = \underline{\quad}$

$\underline{\quad} - 8 = 54$

$61 - 2 = \underline{\quad}$

$\underline{\quad} - 9 = 63$

$73 - \underline{\quad} = 69$

$63 - \underline{\quad} = 59$

$66 - 8 = \underline{\quad}$

$72 - 5 = \underline{\quad}$

$67 - \underline{\quad} = 58$

$\underline{\quad} - 7 = 79$

$\underline{\quad} - 9 = 83$



$93 - 4 = \underline{\quad}$

$94 - \underline{\quad} = 87$

$\underline{\quad} - 7 = 85$

$\underline{\quad} - 3 = 59$

$77 - 8 = \underline{\quad}$

$52 - \underline{\quad} = 49$

$81 - 3 = \underline{\quad}$

$\underline{\quad} - 9 = 83$

$93 - \underline{\quad} = 85$

$93 - \underline{\quad} = 84$

$\underline{\quad} - 2 = 49$

$61 - 5 = \underline{\quad}$

$95 - \underline{\quad} = 87$

$\underline{\quad} - 9 = 85$

$97 - \underline{\quad} = 89$

$74 - 5 = \underline{\quad}$

$\underline{\quad} - 6 = 89$

$93 - \underline{\quad} = 89$

$52 - \underline{\quad} = 48$

$\underline{\quad} - 8 = 78$

$\underline{\quad} - 3 = 58$

$73 - \underline{\quad} = 64$

$86 - 7 = \underline{\quad}$

$\underline{\quad} - 3 = 78$

/36

Freitag: _____

Name: _____

53 - ___ = 49

81 - 8 = ____

98 - ___ = 89

51 - ___ = 49

74 - 6 = ____

___ - 5 = 58

72 - 4 = ____

___ - 8 = 74

72 - ___ = 66

95 - ___ = 88

___ - 6 = 49

76 - ___ = 68

51 - ___ = 48

___ - 5 = 69

___ - 6 = 56

___ - 9 = 75

56 - 8 = ____

91 - 3 = ____

___ - 9 = 78

___ - 5 = 77

72 - ___ = 65

58 - 9 = ____

___ - 4 = 89

___ - 3 = 58

___ - 3 = 69

___ - 2 = 79

98 - 9 = ____

61 - ___ = 59

85 - 8 = ____

72 - 7 = ____

62 - ___ = 58

___ - 3 = 48

95 - 7 = ____

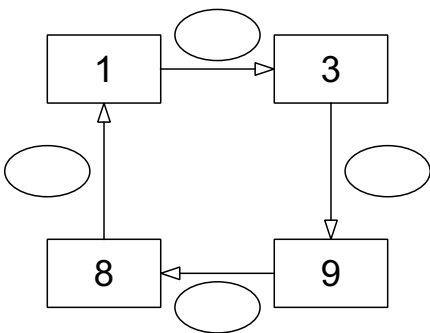
56 - ___ = 49

51 - 2 = ____

54 - 7 = ____



Wochenende-Kopfrechnen



91 - 4 = ____

93 - 9 = ____

___ - 8 = 67

81 - 2 = ____

